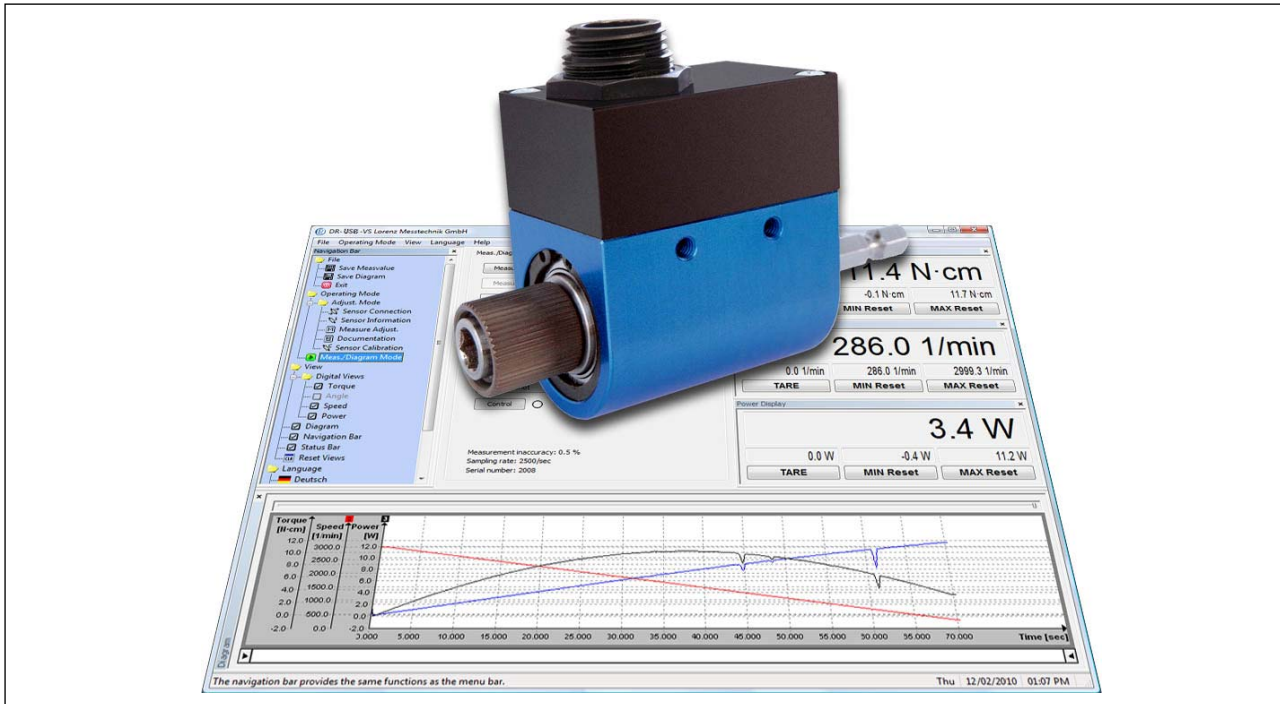


USB - Torque Sensor with Configuration and Evaluation Software

DR-3003

- Nominal torque from 0.1 N·m ... 20 N·m
- Up to 2500 Measurements/s
- 16-Bit digitalization in sensor directly
- Feed-in from USB, without ext. power supply
- Suited for mobile operation with a notebook
- Calibration parameter lodged in sensor
- Calibration control actuation by software
- Power computation by software



This sensor has a contactless and digital signal transmission from rotor to stator, which means no signal falsification and maintenance-free.

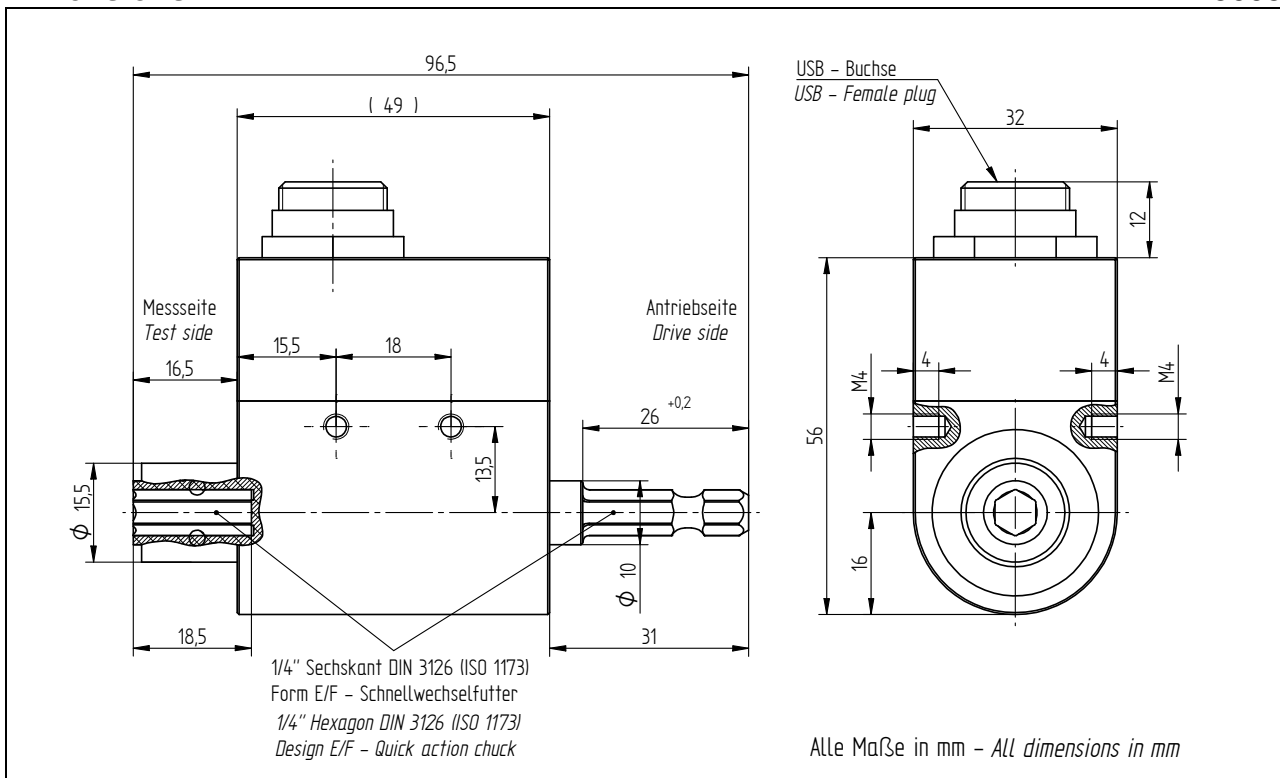
Article Number	Nominal Torque [N·m]	Weight approx. [kg]	Hexagon	Limit Speed [min ⁻¹]	Springrate [N·m/rad]	Mass Moment of Inertia [kg·m ²]		Natural Frequency [Hz]	Limit Thrust Load [N]
						Drive side	Test side		
112831	0.1	0.2	1/4"	3000	18	2.6E-06	3.9E-07	1.1·10 ³	43
112832	0.2	0.2		3000	18	2.6E-06	3.9E-07	1.1·10 ³	39
112833	0.5	0.2		3000	112	2.6E-06	3.9E-07	2.9·10 ³	170
112834	1	0.2		4000	112	2.6E-06	3.9E-07	2.9·10 ³	170
112828	2	0.2		4000	285	2.6E-06	3.9E-07	4.6·10 ³	240
112835	5	0.2		4000	457	2.6E-06	4.0E-07	5.8·10 ³	430
112836	10	0.2		4000	516	2.6E-06	4.2E-07	6.0·10 ³	570
112837	15	0.2		4000	516	2.6E-06	4.2E-07	6.0·10 ³	570
112838	20	0.2		4000	516	2.6E-06	4.2E-07	6.0·10 ³	570

Specifications

Type		DR-3003
Accuracy class torque	% f. s.	±0.1
Speed resolution	min ⁻¹	1
Speed accuracy	% f. s.	±1
Angle of rotation resolution	degree	0.25
Relative spread	%	±0.02
Feed-in from USB	V DC	4 ... 6
Current consumption	mA	max. 250
Output signal torque	digits	±25,000
Output signal speed / angle of rotation	digits	±32,511
Input calibration control actuation		per Software
Sample rate	kSample	2.5
Reference temperature	°C	+23
Nominal temperature range	°C	+5 ... +45
Service temperature range	°C	0 ... +60
Storage temperature range	°C	-10 ... +70
Temperature coefficient of characteristic value	% f. s./K	+0.01
Temperature coefficient of zero signal	% f. s./K	±0.02
Service torque (static)	% f. s.	150
Limit torque (static)	% f. s.	200
Ultimate torque (static)	% f. s.	>300
Oscillation amplitude (DIN 50 100)	%	70 (peak - peak)
Level of protection (DIN EN 60529)		IP50
Electrical connection		PX0446 IP68 B Mini USB, incl. 3 m connection cable to PC

Dimensions

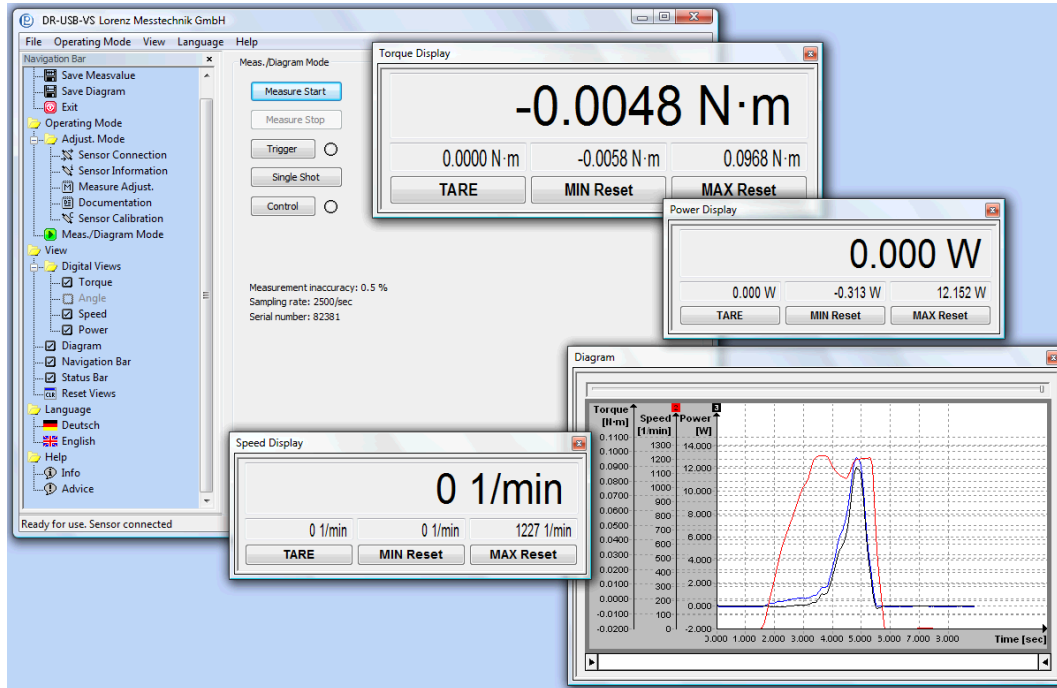
DR-3003



Configuration and Evaluation Software

DR-USB-VS

- Convenient configuration and evaluation software
- Graphic presentation of torque/ speed/ power or torque/ angle of rotation
- Automatic scaling of y-axis
- Simultaneous storage of up to 3 physical values
- Automatic storage function of the measured values as CSV- or BMP-File



Description

Configuration and evaluation software for easy analysis and graphic presentation on a PC.

The software allows direct read in of measured data into a text file in CSV-Format through the USB-Port of a PC. This enables further analyses with a commercially available spreadsheet program at any time.

Specifications

Type	DR-USB-VS
Interface	USB
Protocol	Lorenz standard protocol
System requirements	ex Win2000 ¹ Single- Core ex 2.0 GHz (without diagram) Dual- Core ex 1.8 GHz (with diagram)

Conversion in physical values	✓
Simultaneous measuring	1 Sensor
Graphic presentation of a physical value	✓
Automatic or manual storage in a CSV and BMP file	✓
Mathematical computation of the mechanical power	✓
Calibration function	✓
Resettable minimum value memory for each measured value	✓
Resettable maximum value memory for each measured value	✓
Variable average determination	✓
Tare for each measured value	✓

¹ Windows[®] is either a registered brand or brand of the Microsoft Corporation in the USA and/or other countries.

All trademarks or brands used in this document refer only to the respective product or the holder of the trademark or brand. Lorenz Messtechnik GmbH does not raise claims to other than their own trademarks or brands.