

Model WMC Rod End Load Cell

Why the Interface model WMC Rod End Load Cell is the best in class:

- Proprietary Interface temperature compensated strain gages
- Environmentally sealed
- Stainless steel construction
- Low deflection
- Tension and compression



STANDARD CONFIGURATION

PTO2E-10-6P Connector

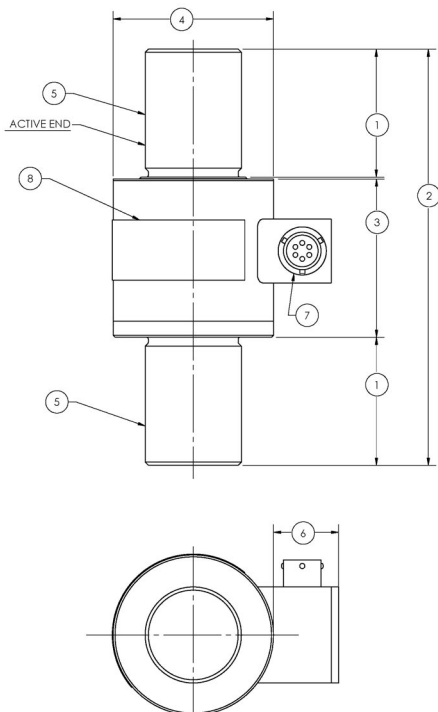
OPTIONS

Integral Cable
Standardized Output

ACCESSORIES

Instrumentation

Consult factory for more technical information



SPECIFICATIONS

ACCURACY – MAX	
Nonlinearity - % FS.....	±0.10
Hysteresis - % FS.....	±0.10
Nonrepeatability - % RO.....	±0.05
Creep, in 20 min - %.....	±0.05
TEMPERATURE	
Compensated Range - °F.....	15 to 115
Compensated Range - °C.....	-10 to 45
Operating Range - °F.....	-65 to 250
Operating Range - °C.....	-54 to 121
Effect on Output - %/°F – MAX.....	±0.004
Effect on Output - %/°C – MAX.....	±0.0072
Effect on Zero - % RO/°F – MAX.....	±0.0025
Effect on Zero - % RO/°C – MAX.....	±0.0045
ELECTRICAL	
Rated Output- mV/V (nominal).....	2
Zero Balance - %RO.....	±1
Bridge Resistance – Ohm (nominal).....	350 ±3.5
Excitation Voltage – MAX.....	15 VDC
Insulation Resistance – Megohm.....	> 5000
MECHANICAL	
Calibration.....	Tension
Safe Overload - % CAP.....	150

DIMENSIONS

See Drawing	CAPACITY (lbf) 20K, 30K, 50K	
	inch	mm
①	2.00	50.8
②	6.5	165.1
③	2.47	62.7
④	2.5	63.5
⑤	1.5 - 12 UNF	
⑥	1.01	25.7
⑦	PTO2E-10-6P	
⑧	Label	