

Model 5350 & 5355 Solid Flange Reaction Torque Transducer

Why the Interface model 5350 & 5355 Reaction Torque Transducer are the best in class:

- Threaded mounting holes
- Compact size
- Optional ± 10 VDC output available on 100 oz-in and above



DIMENSIONS

See Drawing	SOLID FLANGE TYPE					
	5350	5355				
	CAPACITY (oz-in) 10, 20, 50, 100, 200	CAPACITY (lb-in)				
	10, 20, 50, 100, 200	10, 20, 50	100, 200, 500	1K, 2K, 5K	10K, 20K	50K, 100K
	inch	inch	inch	inch	inch	inch
①	1.50	2.00	2.75	4.50	6.00	8.00
②	1.00	1.375	2.000	3.875	5.375	7.375
③	0.875	1.250	1.875	3.750	5.25	7.250
④	.50	2.125	2.75	3.50	4.50	5.50
⑤	1.375	1.875	2.375	3.00	3.75	4.75
⑥	.0625	0.125	0.188	0.25	0.375	0.375
⑦	0.563	0.750	1.250	2.750	4.000	5.750
⑧	#4-40 UNC-2B 2 places	#10-32 UNF-2B 2 places	1/4-20 UNC-2B 4 places	3/8-24 UNF-2B 4 places	7/16-20 UNF-2B 8 places	5/8-18 UNF-2B
⑨	0°	0°	0°	0°	22.5°	15°
⑩	Conxall 7282-GPG-300	CF3102E-14S-6P	CF3102E-14S-6P	CF3102E-14S-6P	CF3102E-14S-6P	CF3102E-14S-6P

SPECIFICATIONS

ACCURACY – (MAX ERROR)

Nonlinearity-% FS ± 0.1
 Hysteresis-% FS ± 0.1
 Nonrepeatability-% ± 0.05

TEMPERATURE

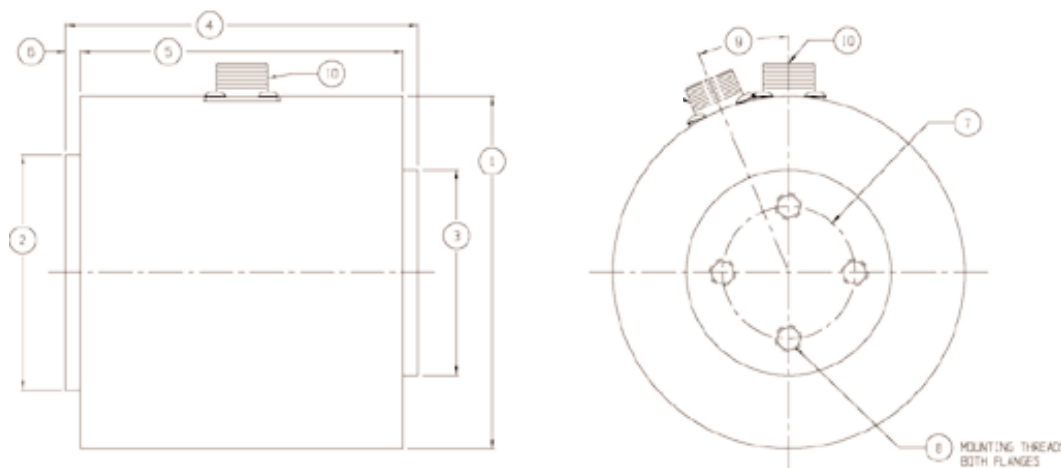
Compensated Range-°F ± 75 to ± 175
 Compensated Range-°C $+24$ to $+80$
 Operating Range-°F -65 to $+225$
 Operating Range-°C -54 to $+107$
 Effect on Output-%/°F-MAX ± 0.002
 Effect on Zero-% RO/°F-MAX ± 0.002

ELECTRICAL

Rated Output-mV/V (Nominal)2.0
 (5350-101.3)
 Bridge Resistance-Ohm (Nominal)350
 Excitation Voltage-MAX10 VDC

MECHANICAL

CalibrationCW & CCW
 Safe Overload-% CAP200



*Model 5350 & 5355

* Amplified Output Available. Please consult factory for details.